

LNDU



Build-In WiFi Module



Customer Service

• Call Us
United States +1(844) 820 5077
Monday to Friday: 9:00 AM - 9:00 PM(PT)
Saturday and Sunday: 9:00 AM - 6:00 PM(PT)

• Email Us
Customer Support: support@lndu.com

Shenzhen Lingdu Auto Electronics Co., Ltd.
F28/29 Tower A Lechuanghui Building, No.1211Guanguang Road,
Longhua District, Shenzhen, China

User Manual

LNDU Smart Lock

Model: HK01P

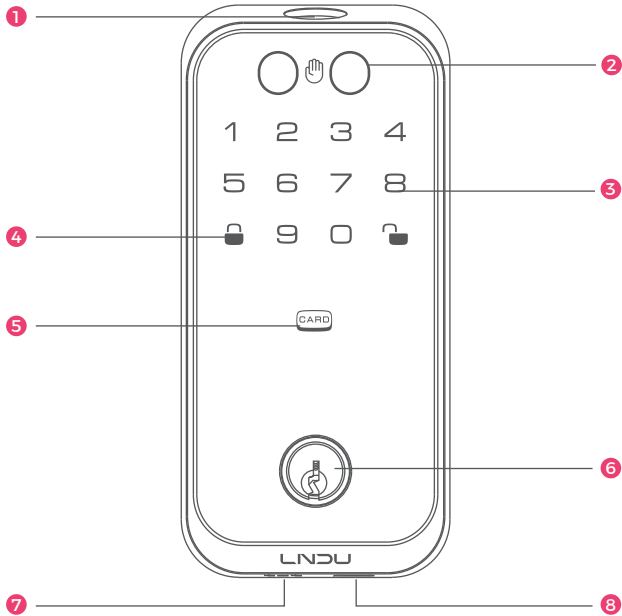
Use of the Works with Apple badge means that an accessory has been designed to work specifically with the technology identified in the badge and has been certified by the developer to meet Apple performance standards. Apple is not responsible for the operation of this device or its compliance with safety and regulatory standards.

Contents

1. Hardware introduction	01
2. Prepare the door and check dimensions	03
3. Parts list	04
4. Installation overview	05
5. APP Operation Guide	17

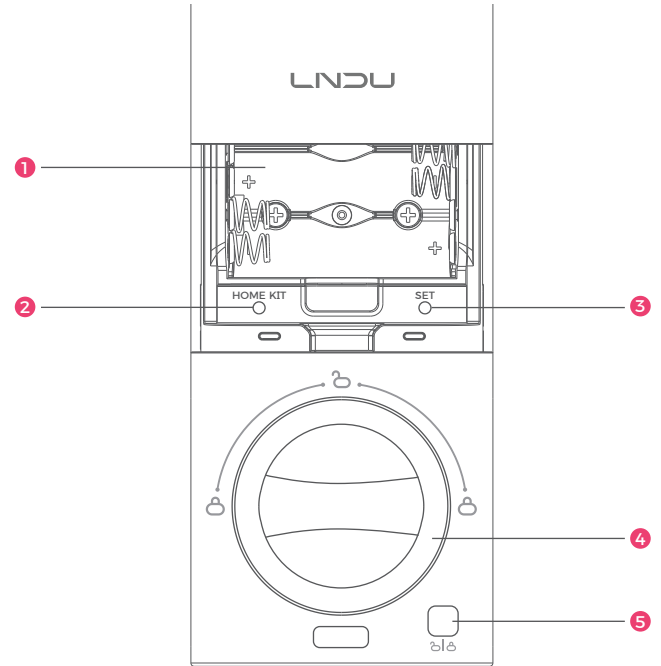
1/ Hardware introduction

Overview



- 1 Fingerprint Scanner
- 2 Palm Vein Scanner
- 3 Touch Keypad
- 4 Lock Button (Press this button to lock the door)
- 5 iPhone / Apple Watch / Fob Scan Area
- 6 Keyhole
- 7 Speaker
- 8 Emergency Power Supply Port:
For emergency use only.

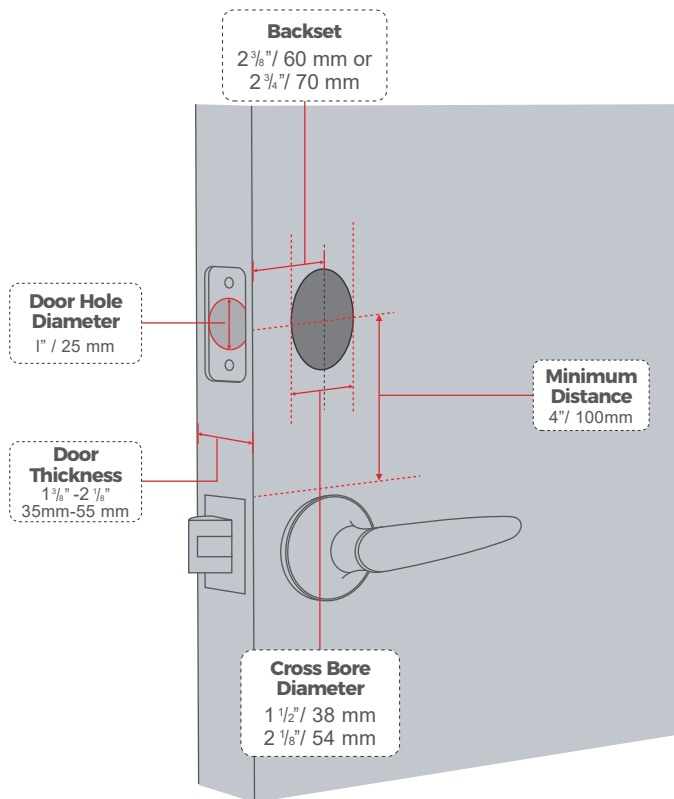
Note: The "Emergency Power Supply Port" is not for battery charging purpose and can only be used for emergency power supply to the lock.



- 1 Battery compartment
- 2 HomeKit Button
- 3 Set Button
- 4 Manual Lock/Unlock Knob
- 5 One Touch Lock / Unlock

2/Prepare the door and check dimensions

Compatible Doors



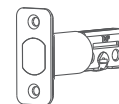
3/Parts List



Exterior Assemble



Interior Assemble



Latch



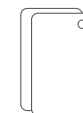
Strike Box



Strike



Keys (x2)



Fob Card x 2



Strike Screws
(x4) 25mm



Mounting Plate
Screws (x2) 35mm



Mounting Plate
Screws (x2) 28mm



Interior Assembly
Screws(x1) 18mm



Interior Assembly
Screws(x2) 5mm



38mm spacer



Silicone Plug



TOOL REQUIRED

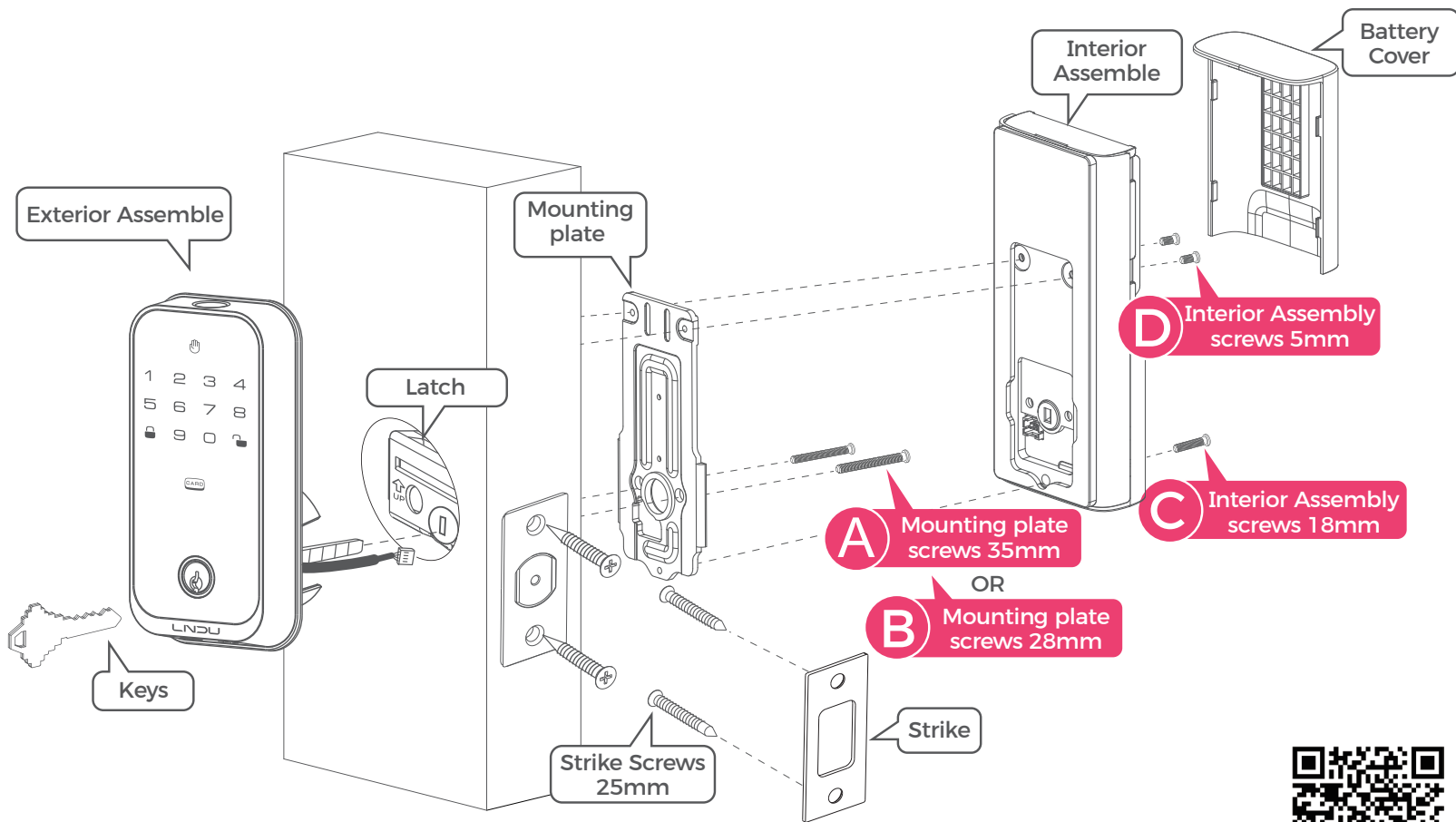
All you need is a manual screwdriver or an electronic screwdriver.



IMPORTANT

Do not load batteries until lock is completely installed.

4 / Installation Overview



*45-55mm door thickness use **A**

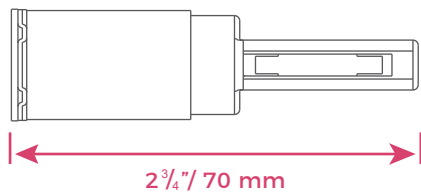
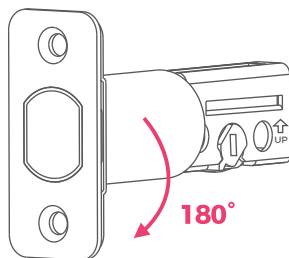
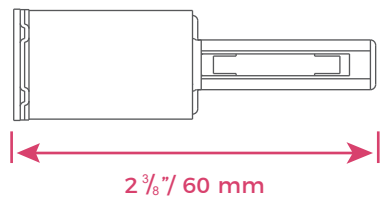
*35-45mm door thickness use **B**



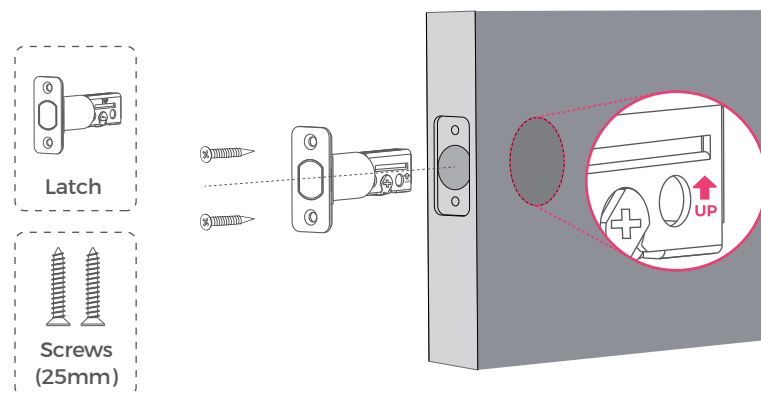
Scan the QR code to watch the video of installation guide

Step 1. Install Deadbolt

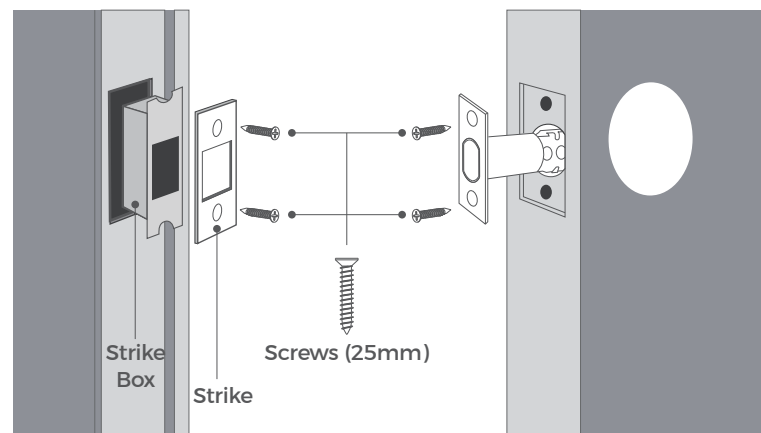
1. Check your door to see if the deadbolt requires adjustment.
If the backset is 70mm, turn the faceplate 180° to extend the length.



2. Insert and screw the deadbolt into the doorframe.
Make sure the word "UP" on the deadbolt faces up.

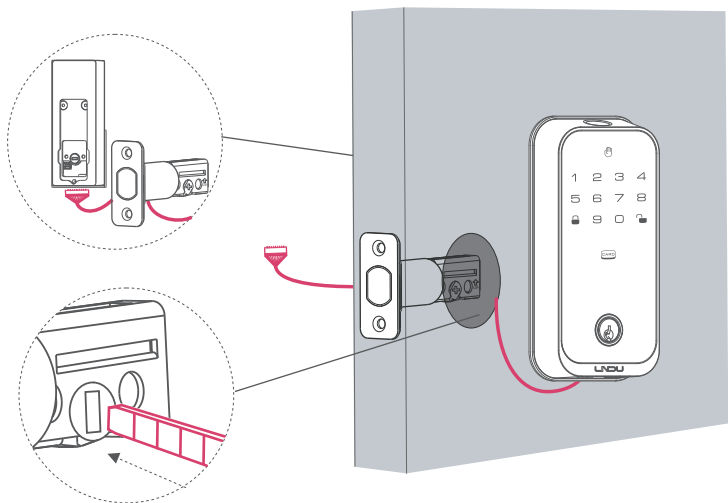
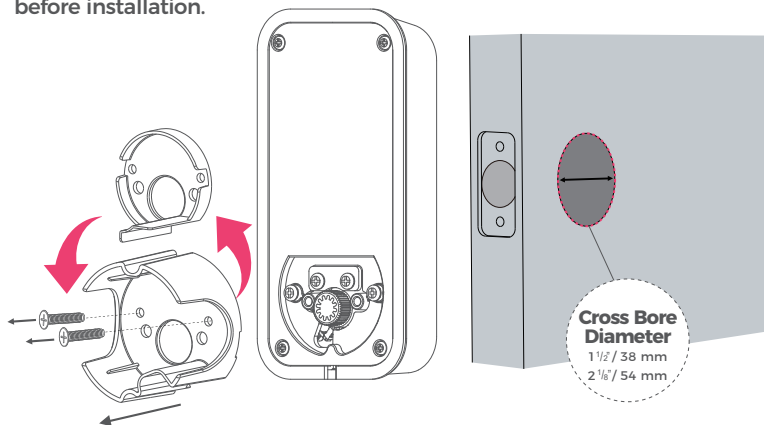


Step 2. Install Strike Plate



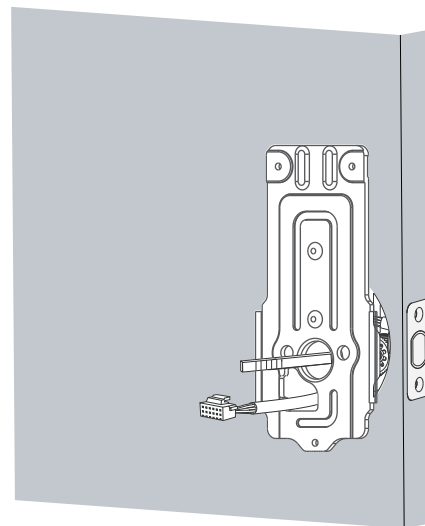
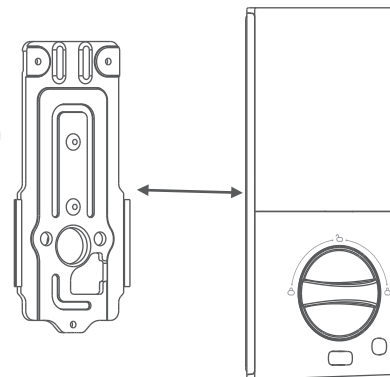
Step 3. Install Exterior Assembly

If you have a 38mm cross bore, replace the spacer before installation.



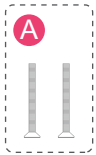
Step 4. Install Interior Assembly

1. Detach the back cover from the interior assembly.



2. Run the wires through the back cover.

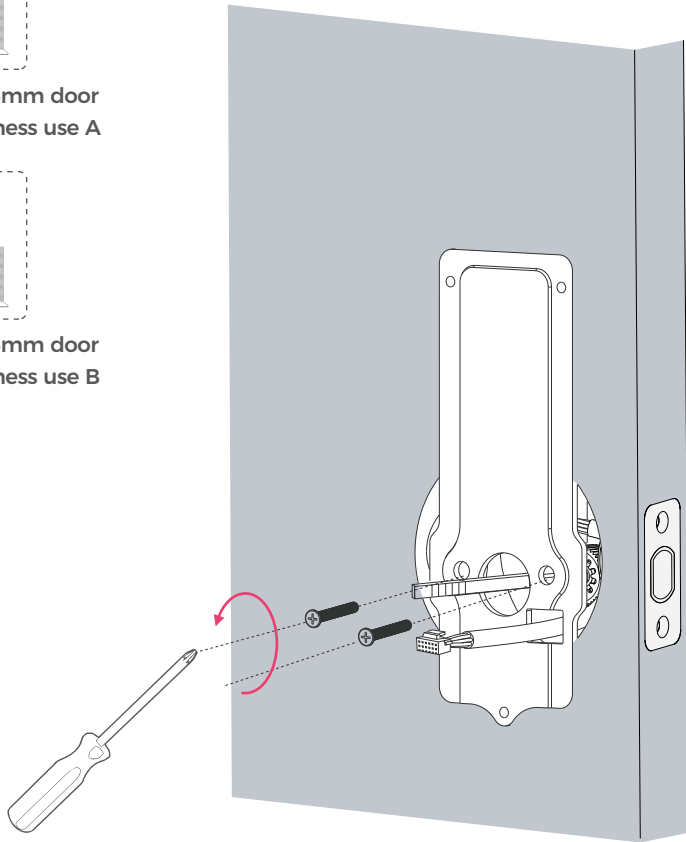
3. Secure the back cover with screws.



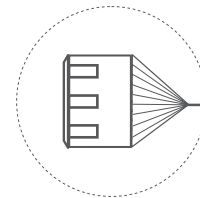
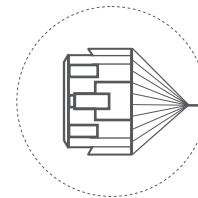
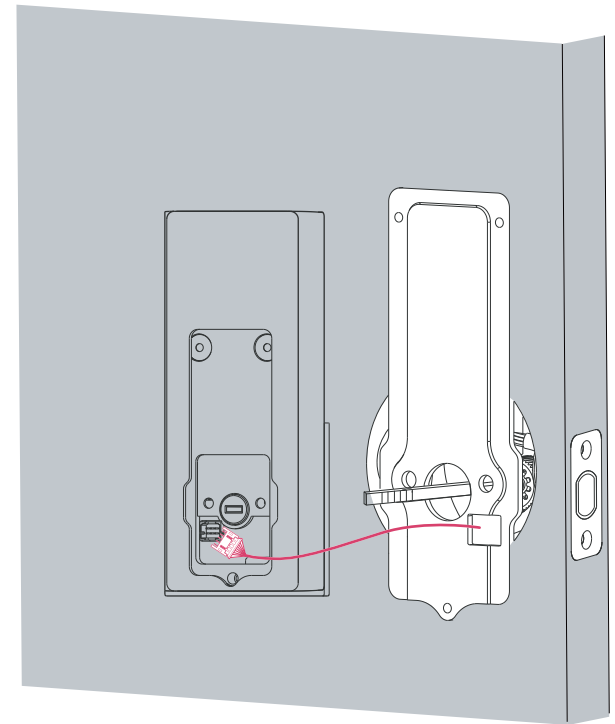
45-55mm door thickness use A



35-45mm door thickness use B

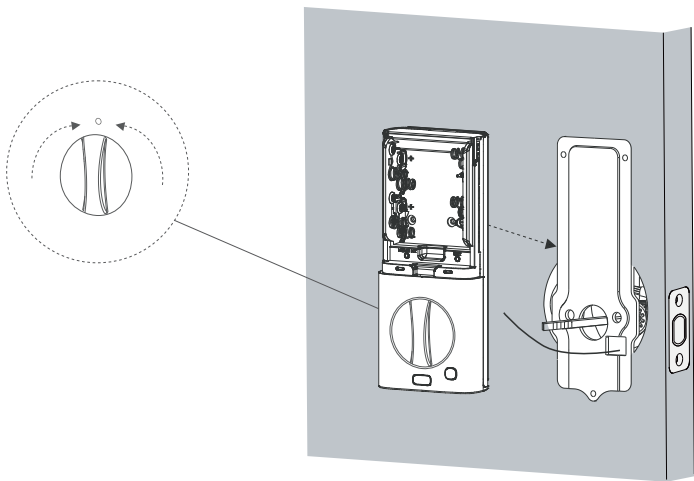


4. Wire to the interior assembly.

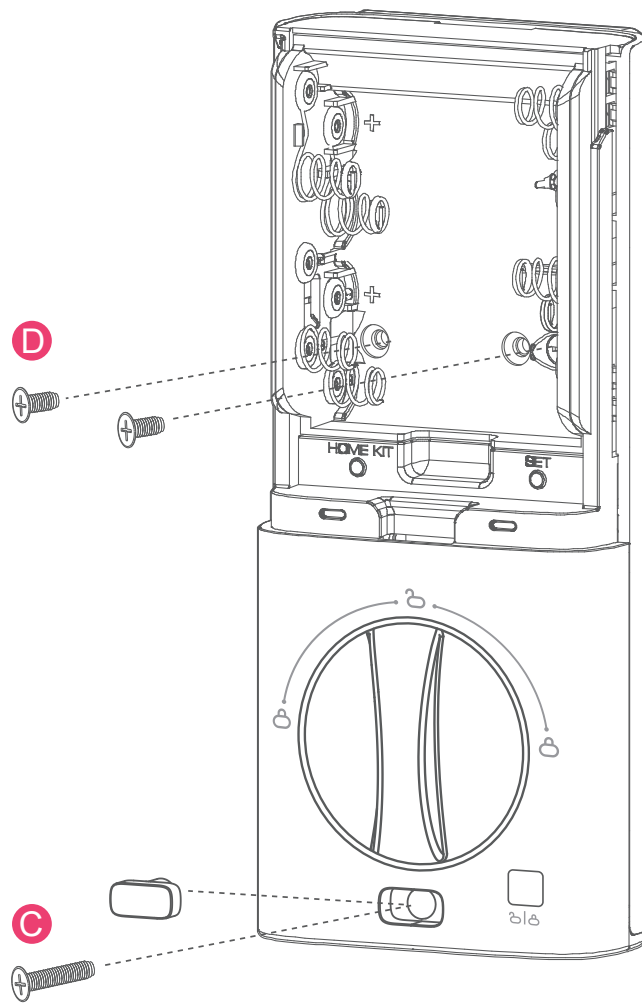
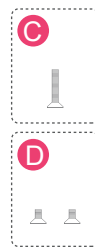
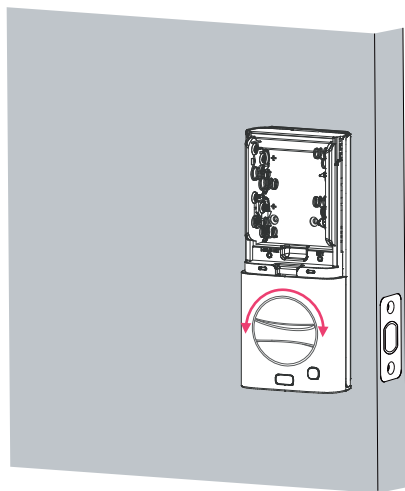


Upside Down

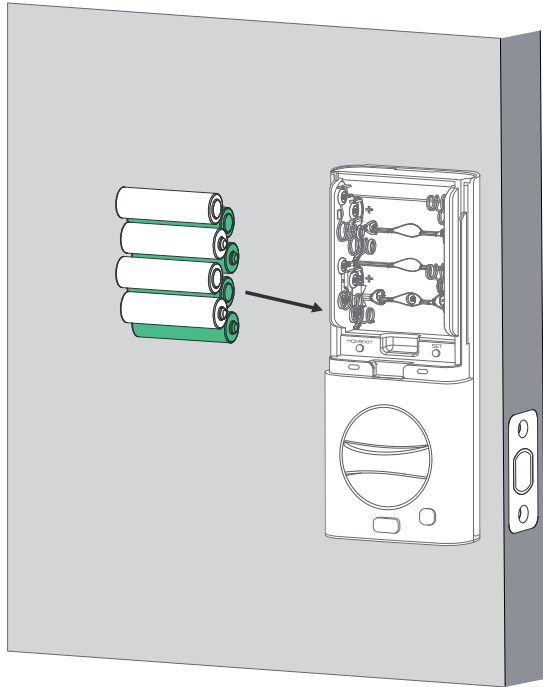
5. Mount the interior assembly. Make sure both wires are tucked into the cabin on the back of the interior assembly.



6. Check if the deadbolt retracts by turning the thumbturn.



7. Insert 8 x AA batteries according to the illustrated positions. (Special note: Ensure all batteries are of the same age and condition. Using a mix of old and new batteries may significantly reduce battery life and could potentially damage the door lock.)



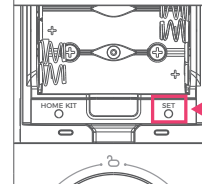
IMPORTANT

The door lock can operate normally with just 4 x AA batteries. If you require extended battery life, please install 8 x AA batteries.

Setup a new lock

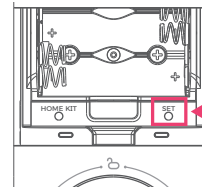
NOTE: You can also set up your lock directly in the LNDU App, The following steps are listed to help you complete the basic setup without a smartphone

1. Restore Factory Settings



Step1: Press and hold the "SET" button, you will hear a voice prompt "Hold the button to restore factory settings Mode." Hold the button until you hear the voice prompt "Restored to factory settings"

2. Enter pairing mode (For add the lock to LNDU App)



Step1: Press the "SET Button". You will hear a voice prompt: "Ready to pair with app". Then you can launch the LNDU app to add the lock.



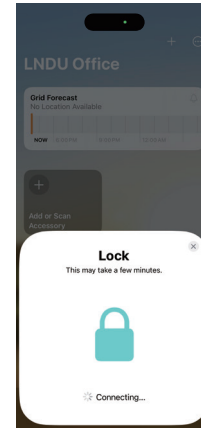
NOTE:

When the door lock indicates 'Low Battery', we recommend replacing all batteries with new ones immediately. The operation of the door lock may be affected when the battery power is insufficient.

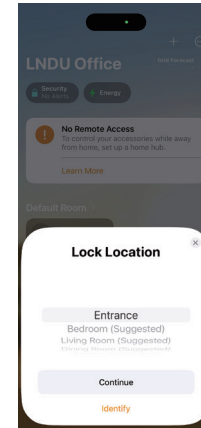
5 / APP Operation Guide

Apple Home app

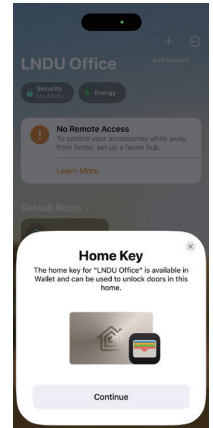
Download the "Home App" from App Store



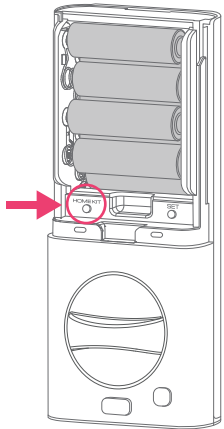
Click "Add to Home"



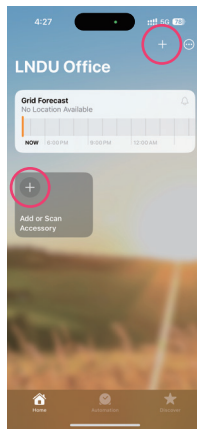
Select the location of the lock



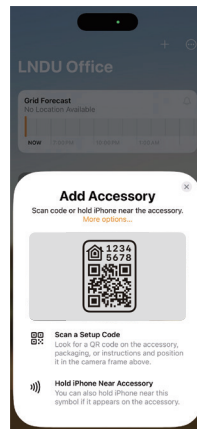
Enable the Home Key



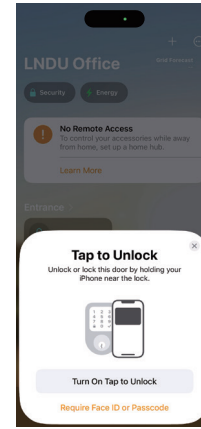
Click the "HomeKit Button" on interior assemble



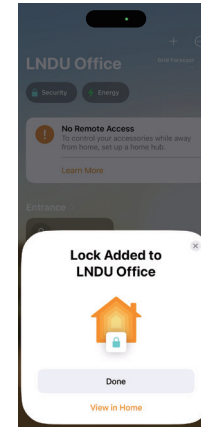
Click + Icon to add an accessory



Scan the Setup Code



Choice a mode to use



Congratulations! Add Finish.



Tap the lock to unlock.

Download LNDU App

NOTE: To access all smart lock function settings, please download the LNDU App



Download the app to discover all functions
If any questions, please email to service@lindu.us
or Feedback in the LNDU App



Pairing setup video guide



Installation Guide



operation Guide

FCC Statement

This equipment has been tested and found to comply with the limits for a Class B digital device, pursuant to part 15 of the FCC Rules. These limits are designed to provide reasonable protection against harmful interference in a residential installation. This equipment generates, uses and can radiate radio frequency energy and, if not installed and used in accordance with the instructions, may cause harmful interference to radio communications. However, there is no guarantee that interference will not occur in a particular installation. If this equipment does cause harmful interference to radio or television reception, which can be determined by turning the equipment off and on, the user is encouraged to try to correct the interference by one or more of the following measures:

- Reorient or relocate the receiving antenna.
- Increase the separation between the equipment and receiver.
- Connect the equipment into an outlet on a circuit different from that to which the receiver is connected.
- Consult the dealer or an experienced radio/TV technician for help.

Caution: Any changes or modifications to this device not explicitly approved by manufacturer could void your authority to operate this equipment.

This device complies with part 15 of the FCC Rules. Operation is subject to the following two conditions: (1) This device may not cause harmful interference, and (2) this device must accept any interference received, including interference that may cause undesired operation.

RF Exposure Information

This equipment complies with FCC radiation exposure limits set forth for an uncontrolled environment. This equipment should be installed and operated with minimum distance 20cm between the radiator and your body.

Additional instruction

1. To control this HomeKit-enabled accessory, the latest version of iOS or watchOS is recommended. Controlling this HomeKit-enabled accessory automatically and away from home requires a HomePod, HomePod mini, or Apple TV set up as a home hub. It is recommended that you update to the latest software and operating system.

2. To use home keys, iPhone XS or later with iOS 15 or later and Apple Watch Series 4 or later with watchOS 8 or later are required.

3. Apple, Apple Home, Apple Watch, HomeKit, HomePod, HomePod mini and iPhone are trademarks of Apple Inc., registered in the U.S. and other countries and regions.